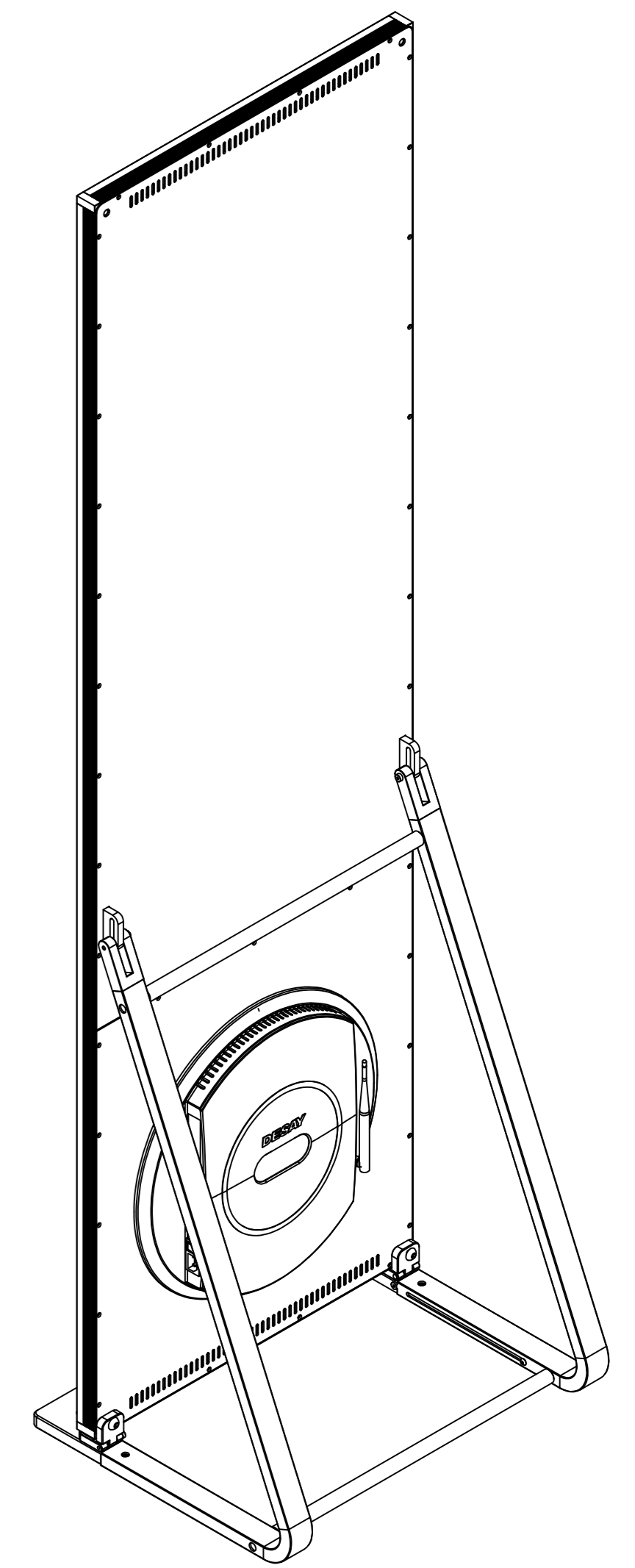
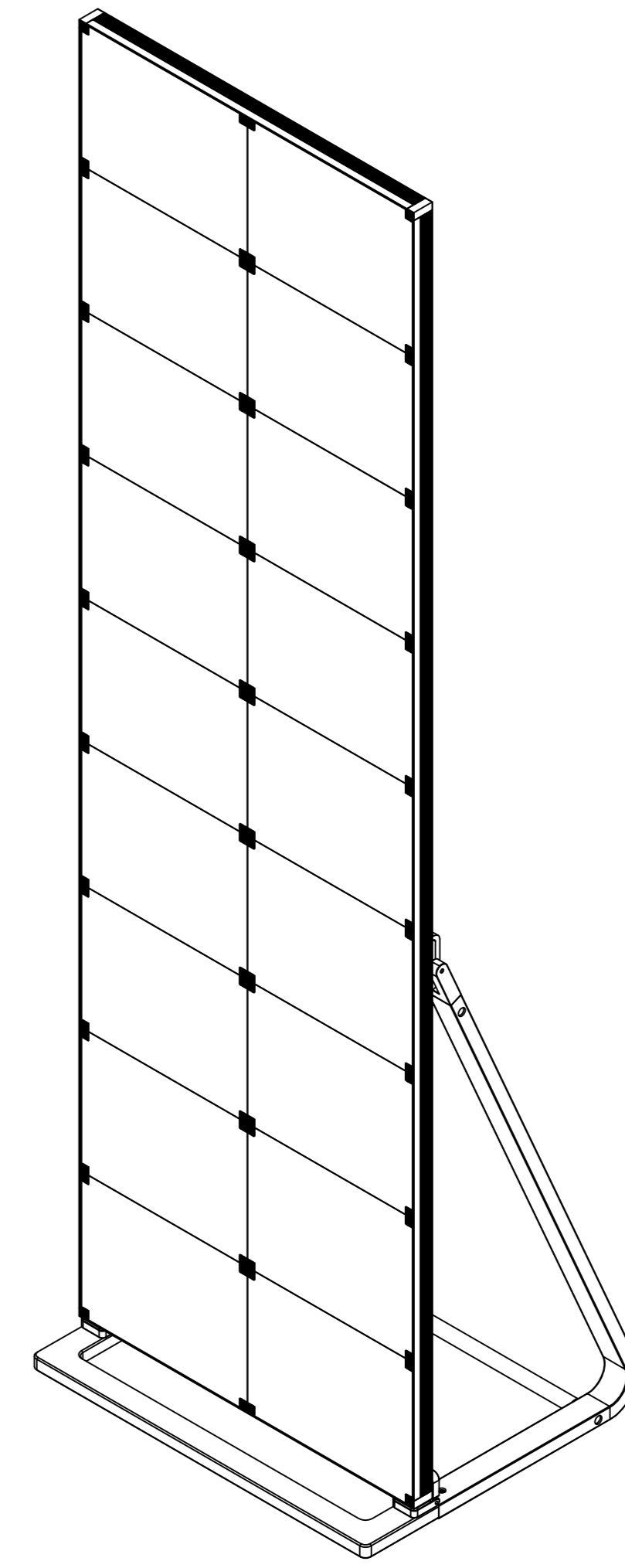
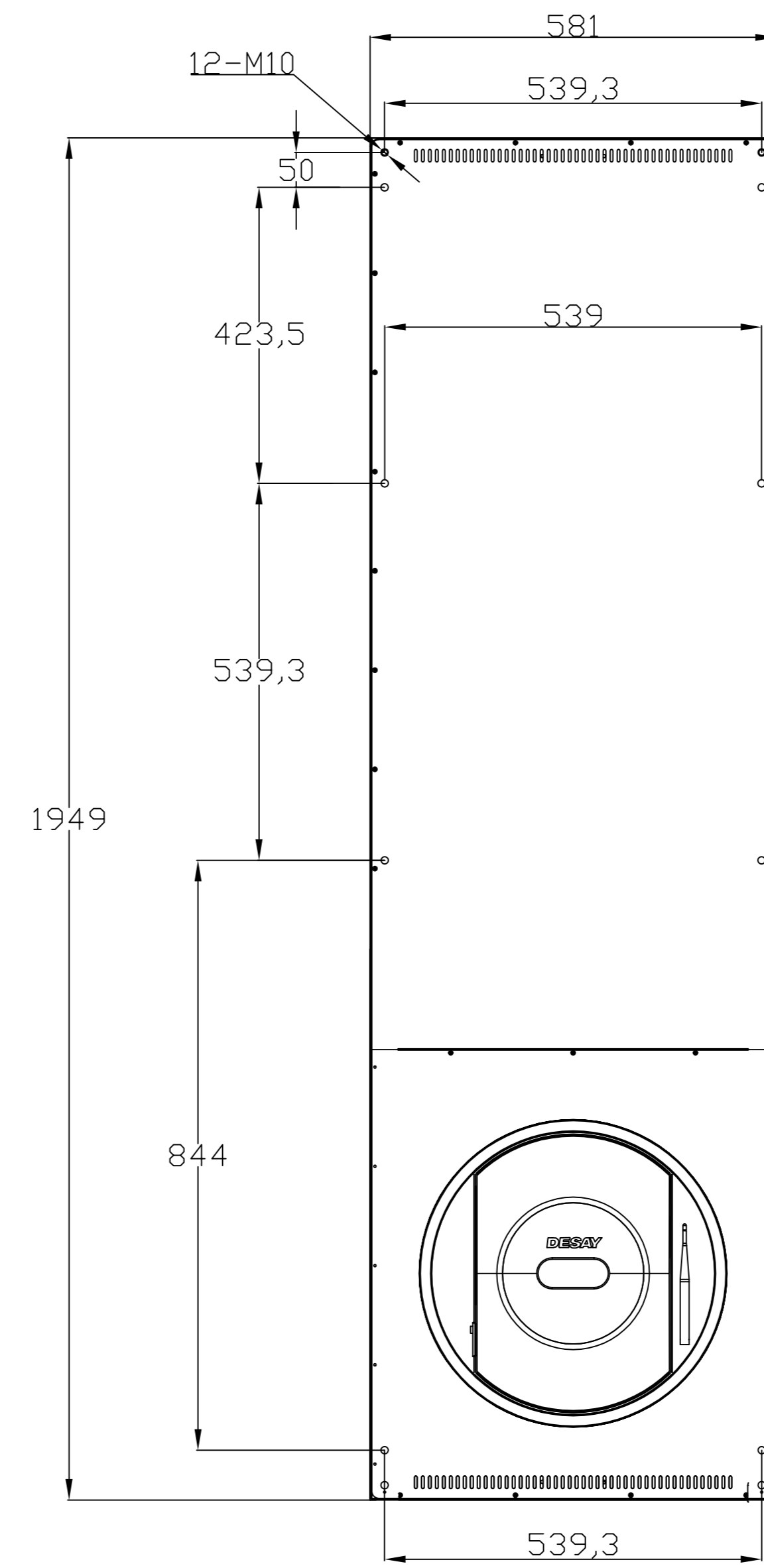
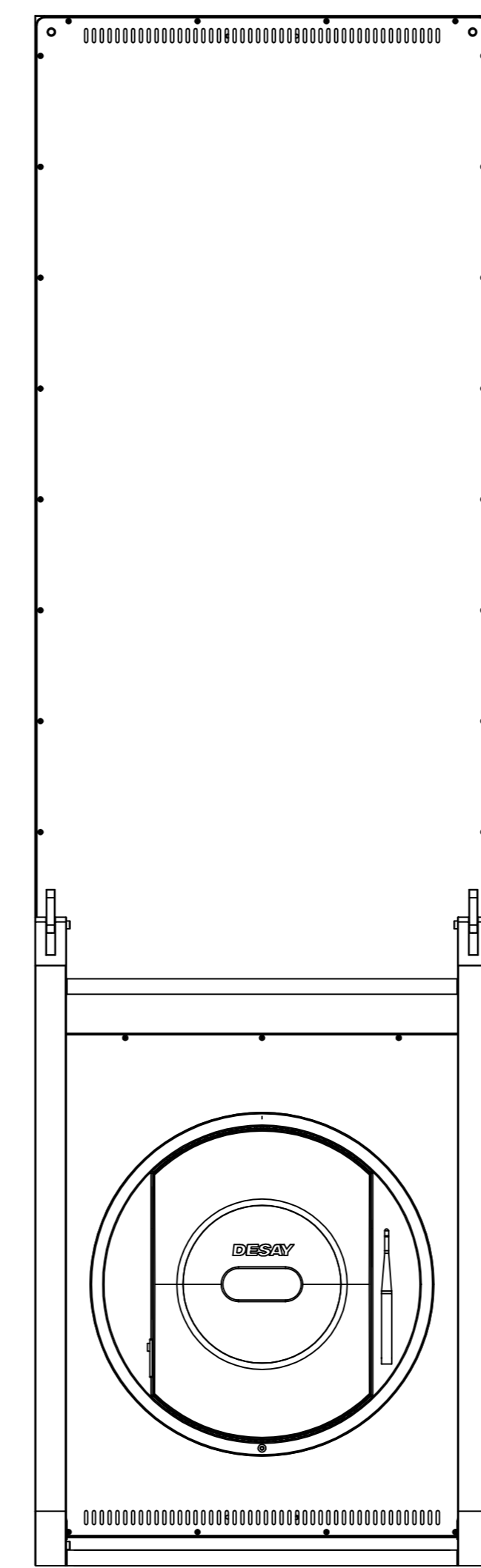
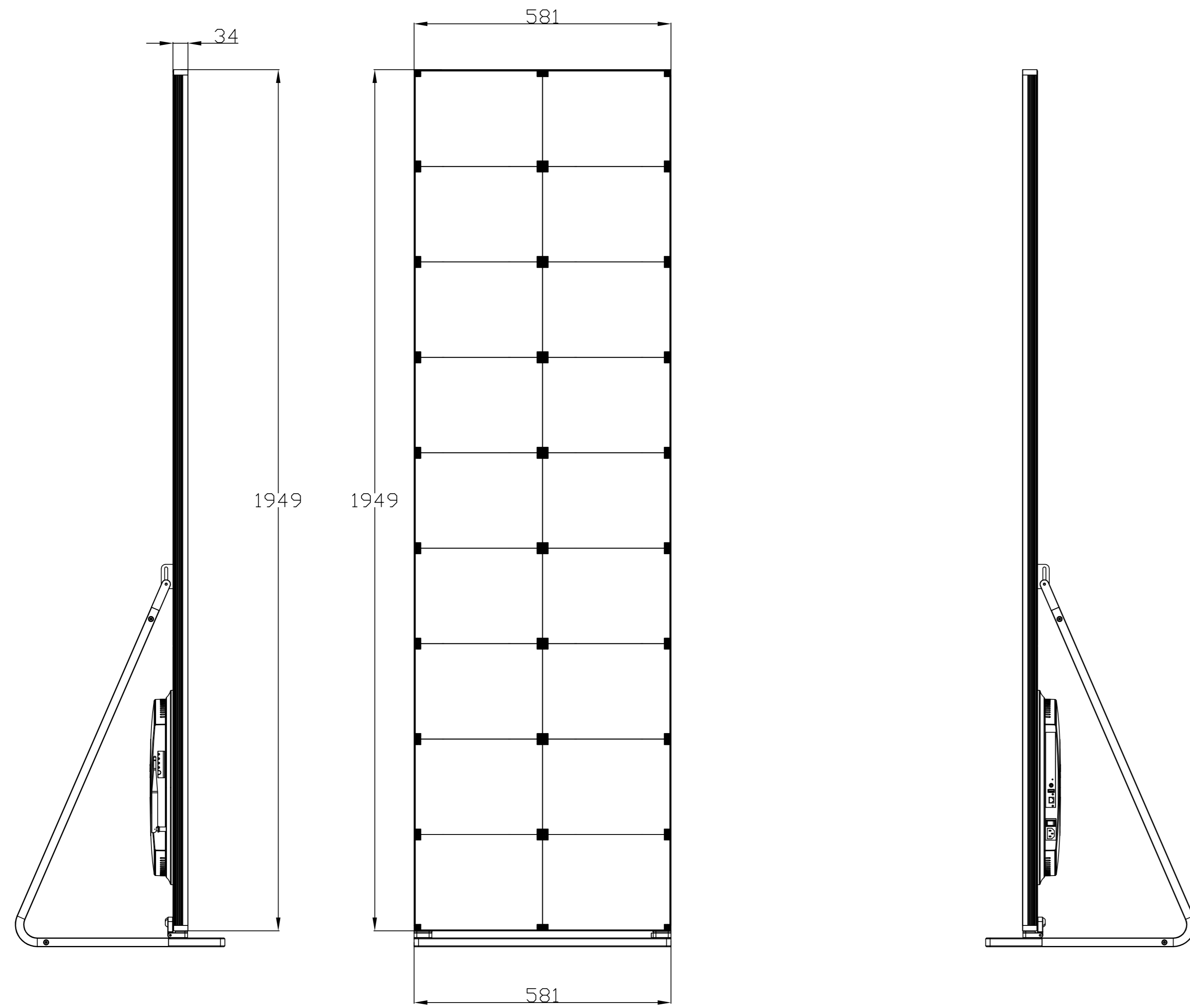
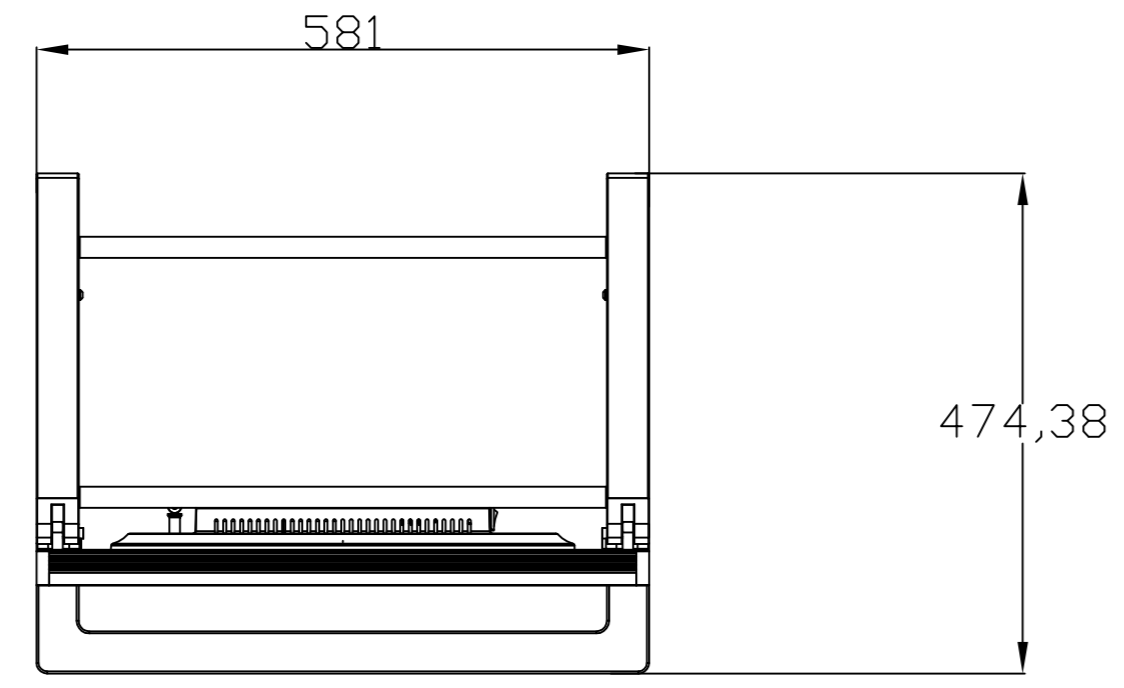
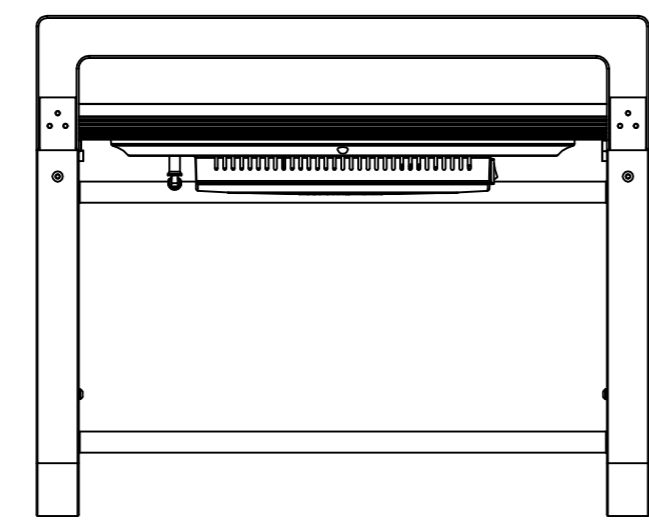


1 2 3 4 5 6 7 8 9 8 11 12

H
G
F
E
D
C
B
A

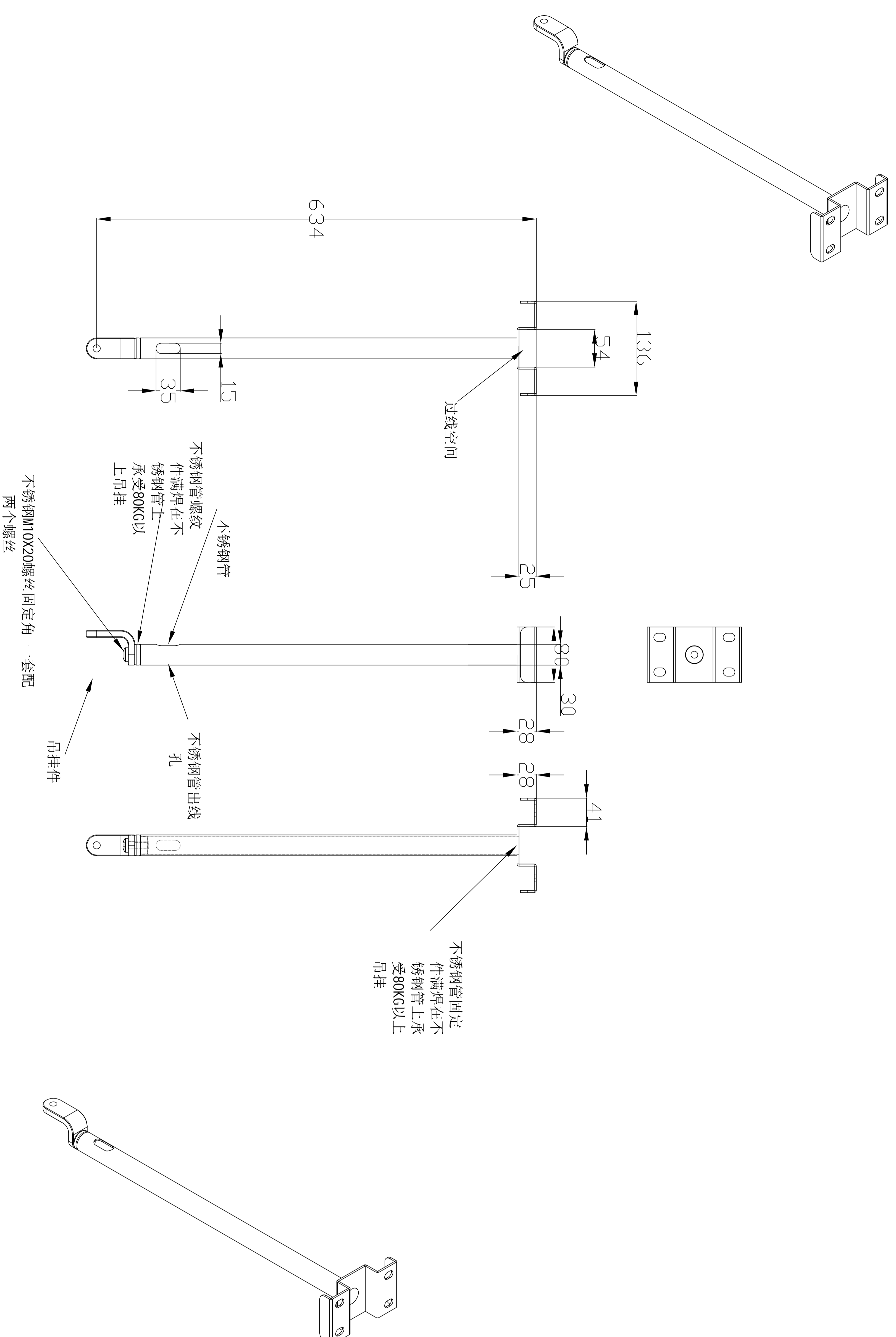


屏約26KG
底座約5KG



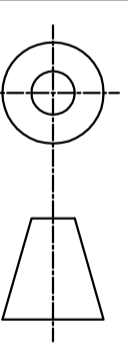
		A	FOR TOOLING RELEASE		Li YF			
		REV	ZONE	CHANGE	DESCRIPTION	DRFT BY	CHKD BY	DATE
MATERIAL	COLOR							
FINISH		TITLE						
COATING		MODEL			PAGE	ECN NO.		
HARDNESS		DSGN						
	SIZE A4	CHKD			PART NO.		REV	
		APPD					A	

1 2 3 4 5 6 7 8 9 8 11 12



1. 2451-090031004 广告屏不锈钢吊挂件 649X136X80

不锈钢管和不锈钢件焊接而成，表面抛光本色处理
1. 36KG/条

MATERIAL		COLOR		TITLE	
FINISH				DESAY 德赛智能科技有限公司	
COATING				MODEL	
HARDNESS		SIZE A4		PAGE	
				ECN NO.	
REV		FOR TOOLING RELEASE		LIVE	
ZONE		CHANGE DESCRIPTION		DRAFT BY	
				CHKD BY	
				DATE	
				PART NO.	
				REV A	
				APPD	

